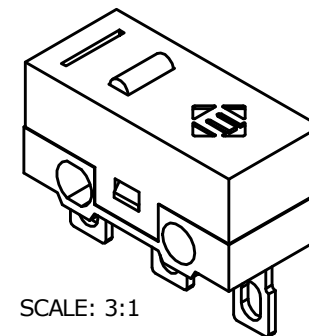
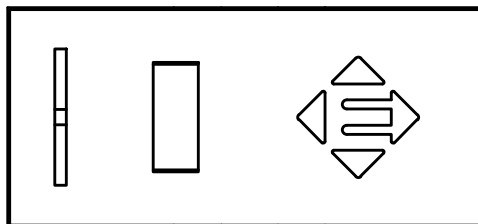
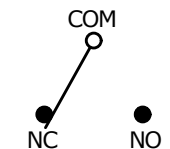




MOUNTING SPECS.



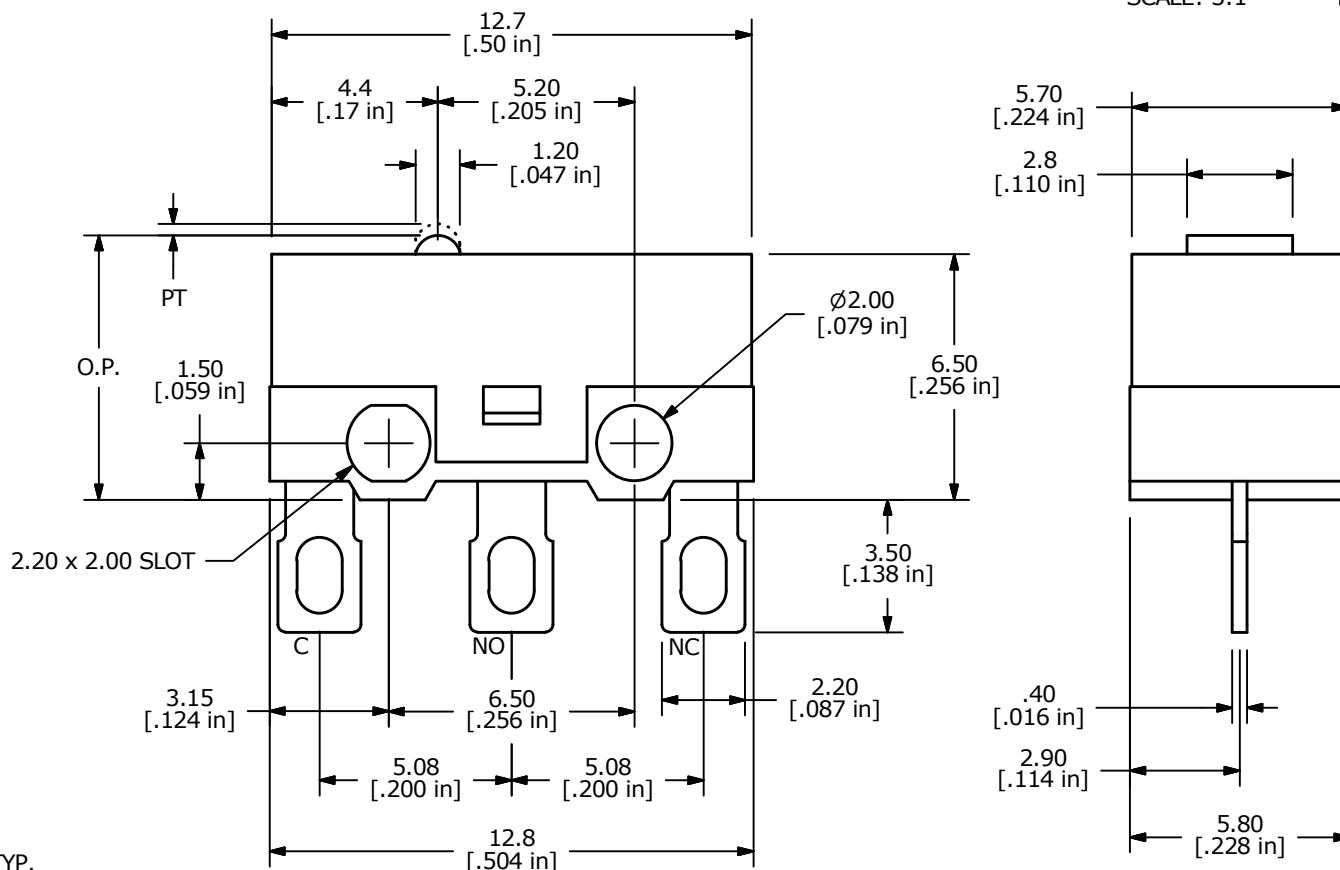
SCALE: 3:1



CIRCUIT: SPDT

O.P. (MM)	P.T. (MM)
7.00 ± 0.2	.35 Max.

O.P. = OPERATING POINT  
P.T. = PRE-TRAVEL



NOTES:

1. ALL DIMENSIONS IN MM [INCH]
2. GENERAL TOLERANCE: X.X ± 0.4  
X.XX ± 0.25
- ▲ 3. RATING: 3A @ 125 VAC  
1.5A @ 250 VAC UL
- ▲ 4. OPERATING FORCE: 130 ± 40 gf
5. OPERATING TEMP: -25°C TO 75°C
6. ELECTRICAL LIFE: 10,000 CYCLES MIN.
7. MECHANICAL LIFE: 1,000,000 CYCLES TYP.
8. INSULATION RESISTANCE: 100 MEGA-OHMS MIN.
9. DIELECTRIC STRENGTH: 500VAC - 1 MINUTE
10. ▲ DENOTES CRITICAL PARAMETER.
11. PACKAGED IN TRAYS, 120 PIECES PER TRAY.
12. 2002/95/EC (ROHS) COMPLIANT



TITLE SS0750300F130S1A				
SCALE 4:1	DATE 6/22/2015	DR MW	DWG Q971038	REV A

A	21889	RELEASE FOR PRODUCTION	6/22/15	MW
REV	PCR NO	DESCRIPTION	DATE	BY

THE INFORMATION CONTAINED IN THIS DOCUMENT IS PROPRIETARY TO E-SWITCH AND IS NOT TO BE COPIED OR TRANSFERRED